

WILLIAM SELLERS.

Improvement in Turning-Lathes.

No. 127,929.

Patented June 11, 1872.

Fig. 1

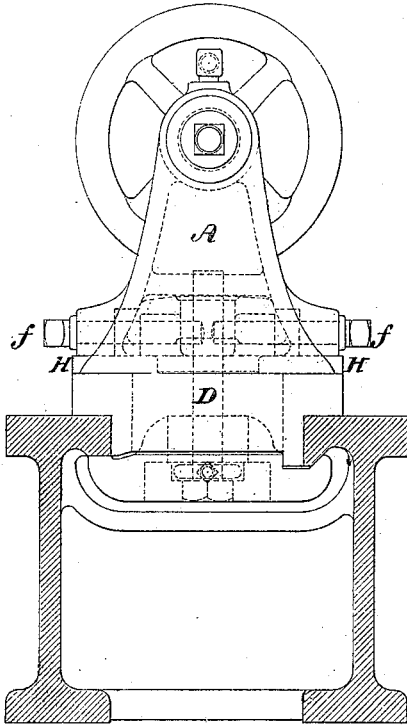


Fig. 2

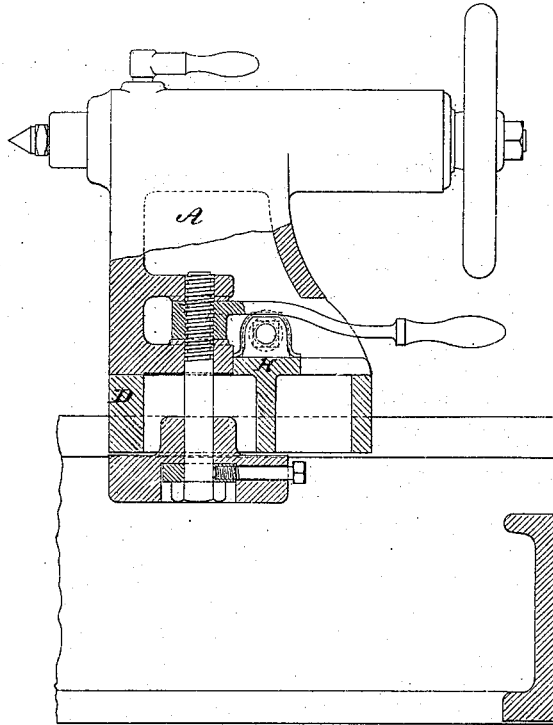


Fig. 3

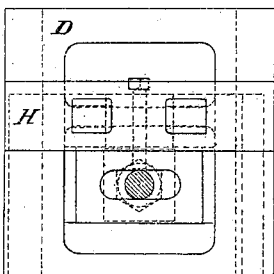


Fig. 4

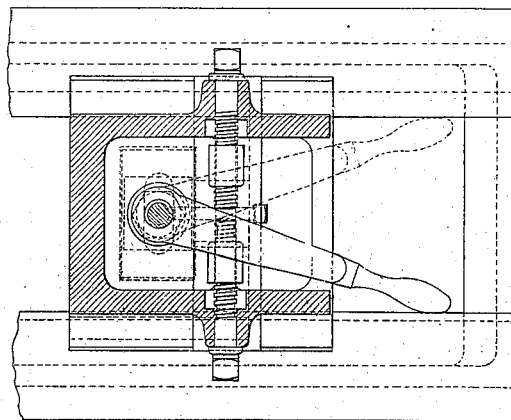
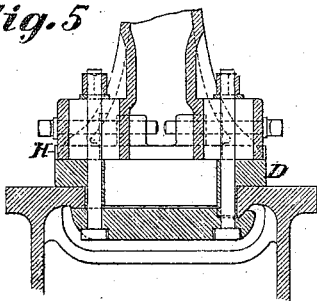


Fig. 5



Witnesses:-

W. H. Rowe,

J. Churdon Bell.

Inventor:-

Wm. Sellers

UNITED STATES PATENT OFFICE.

WILLIAM SELLERS, OF PHILADELPHIA, PENNSYLVANIA.

IMPROVEMENT IN TURNING-LATHES.

Specification forming part of Letters Patent No. 127,929, dated June 11, 1872.

To all whom it may concern:

Be it known that I, WILLIAM SELLERS, of the city and county of Philadelphia, in the State of Pennsylvania, have invented certain new and useful Improvements in Turning-Lathes, of which the following is a specification:

Letters Patent of the United States were granted to me December 28, 1869, No. 98,423, for an improved lathe, in which the bearing-surfaces of the adjustable or sliding head and its clamping piece are so arranged that the clamping pressure in addition to holding the head down securely on the surface of the shear or bed draws it over sidewise against the inner vertical edge of one side of the shear.

On the 23d of February, 1871, I filed an application for an improvement upon the device patented as aforesaid, which improvement had for its object the provision of a lateral adjustment of the sliding or adjustable head within certain limits. In that application the adjustable or sliding head rested directly upon the surface of the shear or bed. The slide-rest in all such lathes is provided with guides or ways, which rest upon the shear or bed and slide freely thereon, being held in place by the angled sides or edges of the bed, as is well understood, and then ways or guides pass on either side of the adjustable or sliding head, respectively, so that the lateral adjustment of the sliding head is limited by the guides or ways of the slide-rest.

Now, the object of my present improvement is to enlarge the limits of lateral adjustment, as provided for in the aforesaid application; and the nature of my present improvement consists in providing a base for the adjustable head of sufficient thickness to raise the bottom of this head above the top of the guides or ways on the slide-rest; and in providing this base with a clamping arrangement operating substantially as described in my patent dated December 28, 1869, No. 98,423; and also in providing this base with a guiding-bar and adjusting-screws, constructed and operating substantially as described in my application filed the 23d of February, 1871.

In order that my said improvement may be more clearly understood, reference may be made to the drawing accompanying this specification forming part thereof, in which—

Figure 1 is an end elevation of the adjustable head. Fig. 2 is a side view of the same. Fig. 4 is a sectional plan of the adjustable head through the adjusting-screws. Fig. 3 is a plan of the base-piece under the adjustable head. Fig. 5 is a vertical section of the adjustable head and base through the holding-down bolts.

In the application filed 23d of February, 1871, the intermediate plate D, with its transverse guide-bar H, was placed between the sides of the shear or bed, the under side of the guide-bar H alone resting on the top of the shear or bed.

In the present application this intermediate plate D is extended over the top of the shear sufficiently to receive the base of the adjustable head, and of sufficient thickness to slightly exceed the thickness of the guide or way on the slide-rest; the adjustable head is correspondingly shortened; the plate D carries the guide-bar H H, as before; and the holding-down bolts are arranged in the same manner; the effect being that when the holding-down bolt or bolts are tightened the plate D will be pinched between the adjustable head A and the shear or bed in addition to being drawn over laterally, as described in the application of February 23d, 1871. The base-plate D being thicker than the slide-rest permits the lateral adjustment of the head over the slide-rest, and this adjustment is thus limited only by the lugs making the nuts for the adjusting-screws, and by the slots through which the holding-down bolts pass.

The invention which is the subject of this patent is an improvement on the machines described in my patent No. 98,423, granted December 28, 1869, and the application filed February 23, 1871; and as such improvement I claim—

The elevated block D, extending above and interposed between the shears and the base of the lathe-head, as and for the purpose specified.

In testimony whereof I have hereunto subscribed my name.

WM. SELLERS.

Witnesses:

JOE I. PEYTON,
EDWD. C. DAVIDSON.